

# 518 Series

## Miniature Circuit Board Mount Clip for 5mm / 6.3mm Diameter Fuses



### Product Characteristics

<b>Compatible Fuses</b>	<b>For 5mm/6.3mm Fuses</b>
<b>Materials</b>	<b>Clip:</b> Copper alloy Solderable, tinned
<b>Electrical Data (23°C)</b>	<b>Rated Voltage:</b> 500V
	<b>Max. Current/Power:</b> 10 A/2.5 W
<b>Mounting</b>	PC Board, 5mm pin spacing Kicked solder pins 0.4x1.1 mm
<b>Minimum Cross Section</b>	Conducting path - 0.2mm <sup>2</sup>
<b>Unit Weight</b>	0.9g

### Agency Approval

Agency	Agency File Number
	E70164

### Additional Information



Resources



Accessories

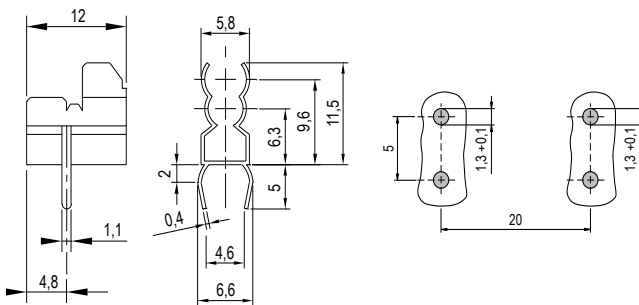


Samples

### Ordering Information

Ordering PN	Clip Material	Plating	Packaging Available
51800001009	Phosphor Bronze	Tin-plated	Bulk (1000pcs)

### Product Dimensions (mm)



**Disclaimer Notice** - Information furnished is believed to be accurate and reliable. However, users should independently evaluate the suitability of and test each product selected for their own applications. Littelfuse products are not designed for, and may not be used in, all applications. Read complete Disclaimer Notice at: [www.littelfuse.com/disclaimer-electronics](http://www.littelfuse.com/disclaimer-electronics).