

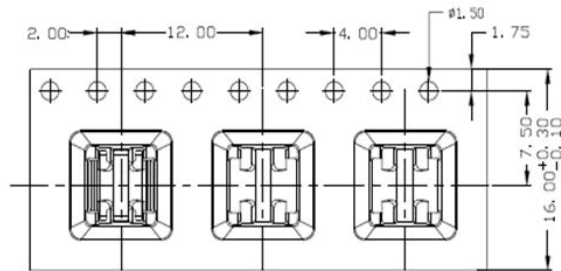
523 Series 5x20mm Fuse Clips for Automated Pick In Place (PIP)



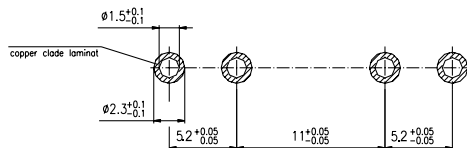
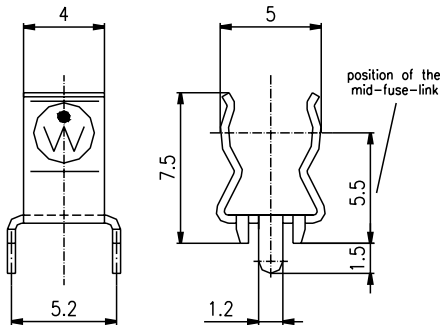
Product Characteristics (For 523 PIP Clip)

| | |
|----------------------------------|--|
| Materials | Copper alloy Solderable, tinned |
| Electrical Data (23°C) | Rated Voltage: 250V |
| | Max. Current/Power: 6.3A/2.5W |
| Mounting | PC Board, 5,2 mm pin spacing Solder pins 0.4x1.2 mm |
| Solderability | 245°C maximum, 3 sec. maximum (IEC 60068-2-20) |
| Soldering Heat Resistance | 260 °C, 10 s (IEC 60068-2-20) |
| Minimum Cross Section | Conducting path - 0.2mm ² |
| Unit Weight | 0.4g |

Product Dimensions



The tolerance for other dimensions is ±0.1mm.



Mounting Dimensions

Ordering Information

| Ordering PN | Clip Material | Plating | Packaging Available |
|-------------|-----------------|------------|-----------------------|
| 5230000S001 | Phosphor Bronze | Tin-plated | Tape and reel 800 pcs |

Additional Information



Datasheet



Resources



Samples